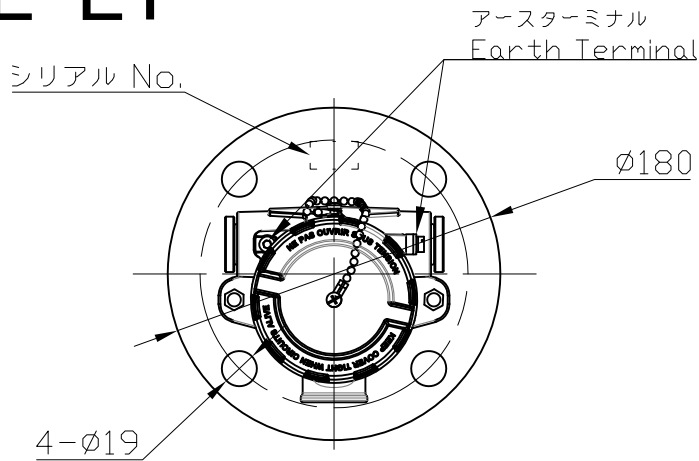


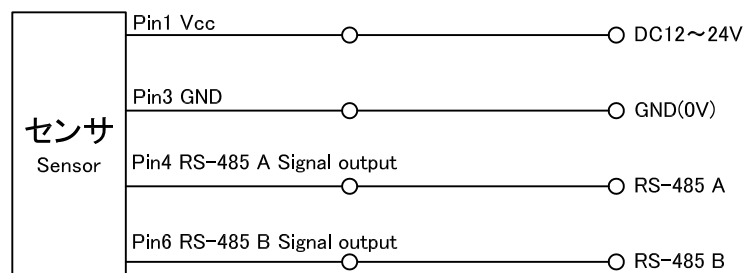
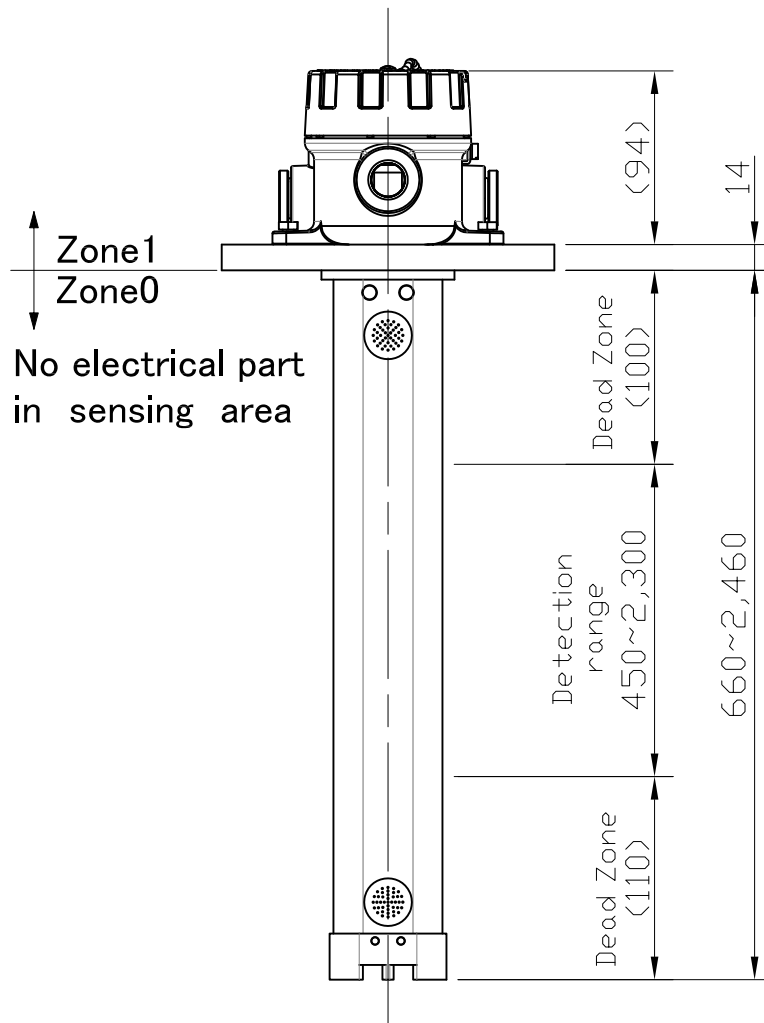
HL-E1

Box	Al
Flange	SUS304
Cover	Al
Float	NBR



Flamproof Type
Ex d II C T6 Ga/Gb

ATEX·IECEX
Application in process



HL-E1結線図